



## More efficiency per square metre: the semi-automatic cartoner CCM-MV.



### Your Advantages:

- > low capital costs
- > high flexibility: nearly all products possible
- > proven, reliable technology
- > large format range
- > modular design
- > short set up times
- > small footprint
- > very user friendly
- > suited for special carton closure technology possible (e.g. fourth flap)

Technical data and format range: semi-automatic CCM-MV

Machine versions

- > 600 mm format wheel and 8 stations
- > 800 mm format wheel and 8 stations
- > 800 mm format wheel and 10 stations

Max. nominal speed

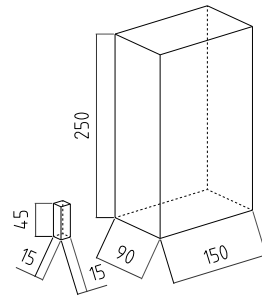
- > 30 to 40 cycles per minute  
(depending on product and operator)

Available closure techniques

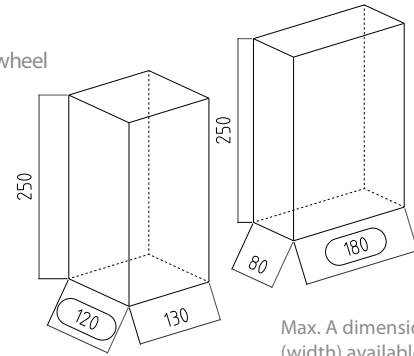
- > tuck in closure
- > hot glue closure
- > combination of tuck in closure and hot glue closure (e.g. fourth flap)

800 mm format wheel – 8 stations

Format range depending on format wheel diameter and number of stations

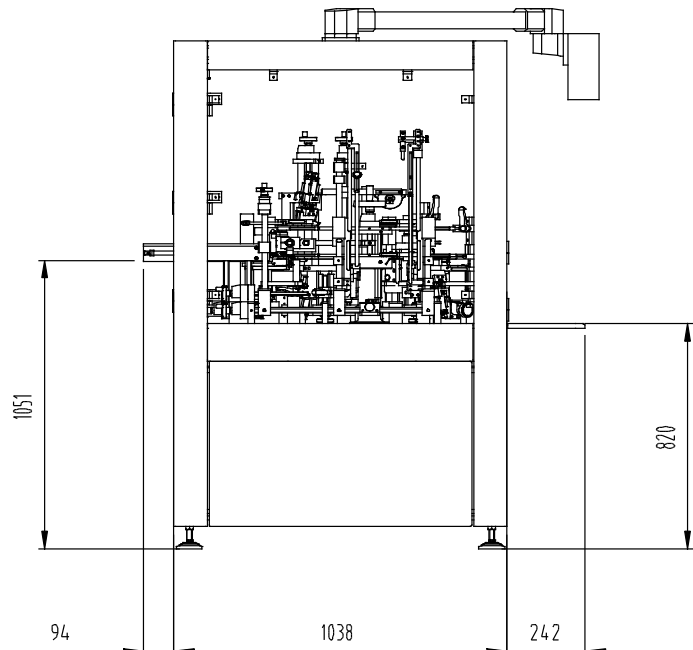
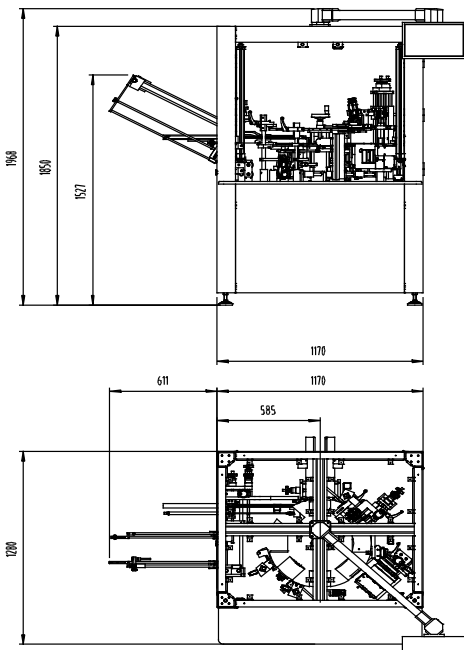


General format range



Max. B dimension (depth) available with corresponding A dimension

Max. A dimension (width) available with corresponding B dimension



CCM-MV with 600 mm format wheel and 8 stations.

Jakob u. Wienmeier  
Industrietechnik GmbH

Osterheide 11 - 49124 Georgsmarienhütte  
Tel. +49 (0) 5401 3658640 - Fax +49 (0) 5401 36586429

info@jw-kartonierer.de - www.jw-kartonierer.de